



80 CUBIC YARD SCRAPBOX TIPPER TRAILER

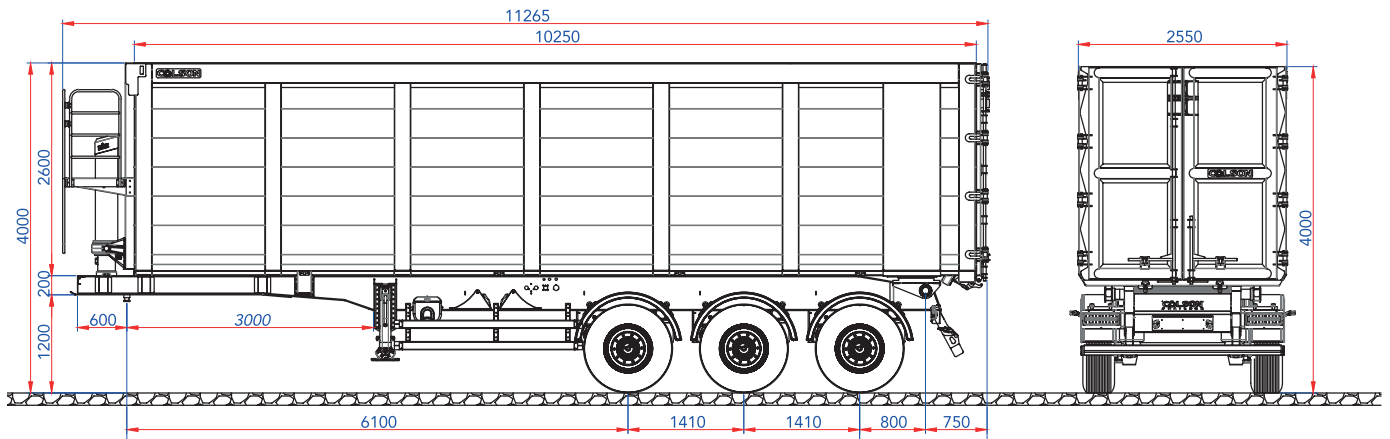


THE COLSON SCRAPBOX, IDEAL FOR THE HEAVIEST OF SCRAP

TECHNICAL SPECIFICATIONS

Chassis: Made with S700MC steel
Running gear: 3 axles SAF-3x 9 Tons
SAF Air Suspension
1st automatic lift axle
Disc brakes Steel rims
6 wheels 385 65 R22.5 Bridgestone brand tyres. EBS RSS 25/2m braking system. (WABCO brand).

Coupling: Kingpin 2"-Hitching height loaded 1250 mm. Body: Hardox 450 steel
Hyva Ram 169-5-6230
Tailgate: automatic spring
Standard Shock Absorber Safety and Equipment -Tilt Alert
Safety Brake (Tipper Lowering Safety) - Assisted Suspension Tipping System - Finisher Brake





EQUIPMENT INCLUDED

- Side under run guards.
- 6 PVC mudguards wrapping each wheel
- 2 front mechanical landing legs with 2 speeds
- 2 LED work lights
- UK compliant signaling,
- 2 ASPOECK 5-function rear lights with bulbs
- 6kg fire extinguisher in PVC box
- Tool box
- Automatic air suspension release when tipping
- Transcover gullwing sheeting system

FINISHING

Surface treatment by shot-blasting, primer and 2 coats of 2 pac RAL to customer spec



Guarantee Colson Trailers are guaranteed for 1 (one) year against all manufacturing and installation errors, except user errors. The warranty period for axles, rams etc are as per manufacturer guarantee



COLSON
TRAILERS.
www.colsontrailers.co.uk

COLSON

TRAILERS

Colson Trailers Ltd
Delves Road
Heanor Gate Industrial Estate
Heanor
Derbyshire
DE75 7RJ

Tel: 01773 424 210
Mobile: 07514 661 775
Email: sales@colsontrailers.co.uk
info@colsontrailers.co.uk

www.colsontrailers.co.uk

